



Glass Storage Unit

- Captures the spirit and ethos of the wetroom.
- Co-ordinates with the minimal Beta screens.

H: 1750 D: 270
GSU 295 Wide
GSU 415 Wide

Screen Hardware Contents

- Typical screen kit includes:
- 3 edge clamps or slim profile channel
 - 1 x 17mm toe pedestal
 - 1 x 800mm bent top brace
 - 1 x 1200mm straight top brace.

Screen Special Sizes

Any glass width, shorter heights, angled top edges - fax a sketch or drawing.
Hardware is mainly brass, plated polished chrome.
Toughened B.S. 6206 Class A.
Clearshield™ prevents stains, bloom and mould growth.

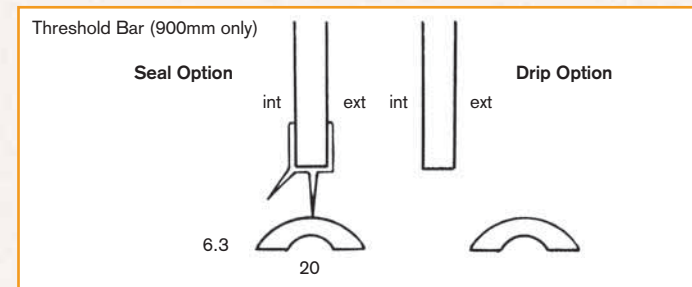
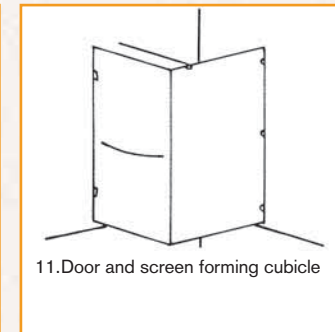
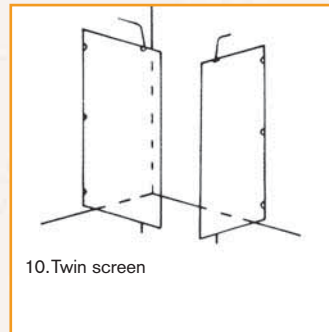
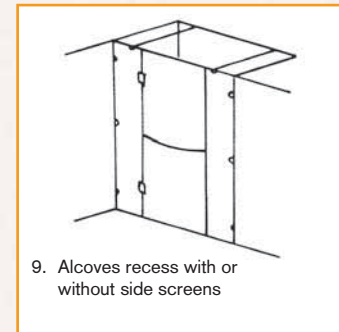
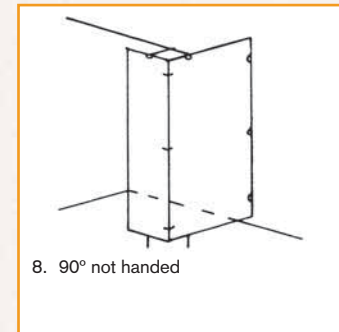
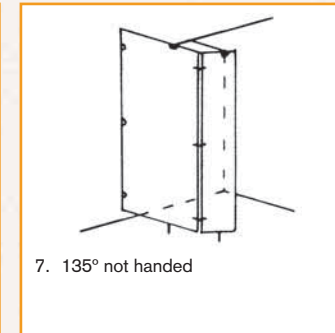
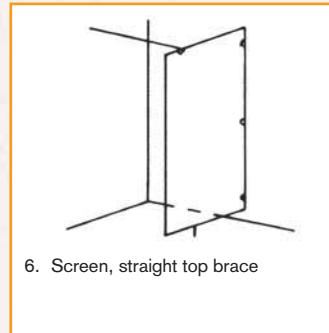
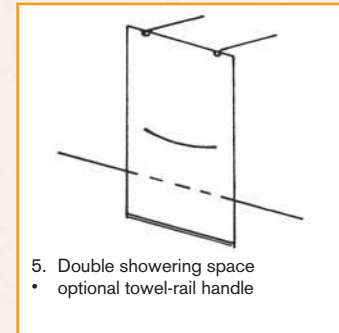
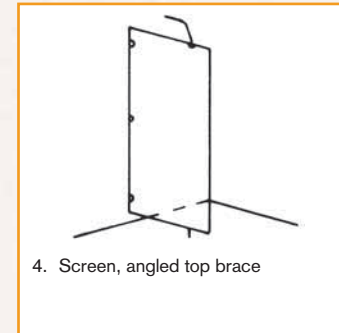
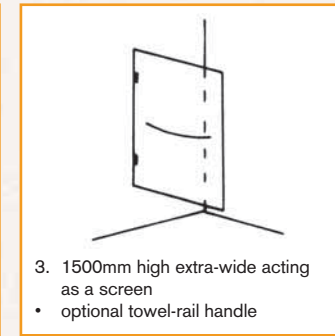
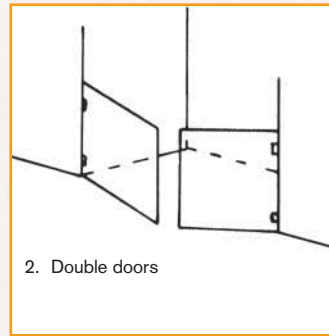
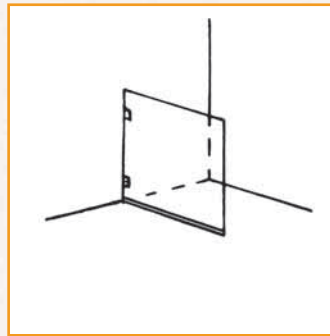
Warranty
Lifetime guarantee on all hardware

Disclaimer
Products should be installed by a competent person within the meaning of the Building Regulations.
We cannot accept responsibility where this is not the case.

We reserve the right to make a refundable charge in advance of taking remedial action where we feel that incorrect fitting may be an issue.

- We reserve the right to change prices, designs or specifications at any time without notice.
- Prices do not constitute a formal offer and may change at any time.
- We always try and maintain published prices but please confirm prices with us before ordering.

The shower screen epitomises the essence of the wetroom concept. They offer modular design and total flexibility to create a unique and exclusive wetroom layout. Use these drawings for inspiration to form a corner wetroom or even a twin showering area. In truth, no door or screen is needed but they are used for privacy (satinised) or to limit splashing.



Seals

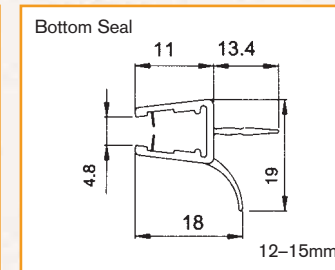
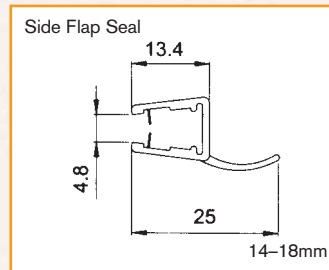
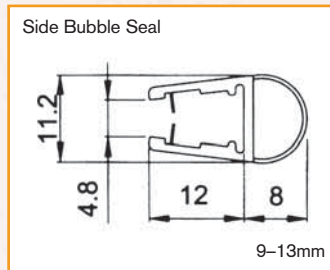
Side Edge Seals In a true wetroom, seals are not used. The side gap is 17mm on screens with edge clamps and 8mm on doors. Unless water is

playing directly onto the gap, the minimal splashing will drain slowly away under the bottom gap along the slope to the drain. However in the UK we have an 'enclosure' mentality which implies total sealing. Most complaints on new housing are for leaking showers. This will not happen with wetrooms as by

their nature splashing will occur. Most people are happy with translucent bubble seals with minimal visual impact and 95% effectiveness (suits doors or screens). Also 90° and 135° profile for angled screens.

Threshold Bar (see drawing). 'H' profile is silicone sealed to tile or vinyl, never drilled to avoid puncturing membrane.
Important Note: If bottom seals are used, select these before drilling walls for hinges or clamps as the height will be affected.

Bottom Edge Seals The Drip Seal is used with or without



WETROOM INNOVATIONS

Riverside Business Park, Bakewell, DE45 1GS
Telephone/Fax 01629 815500
www.betascreens.com

TOTALLY FRAMELESS Glass Screens and Doors



Design your own shower screen system for 40mm trays or wetfloors

CREATE A WETROOM - ANY SIZE, ANYWHERE

BETA

Distinguished by an uncompromising full glass look. Minimalist luxury at an affordable price. The effect is fully frameless without a full height edge profile doubling as a hinge or wall fixing. This achieves clean pure sight lines that harmonise with traditional or contemporary features and fittings. Create a luxury wetroom by forming the panels in any format or simply stand the screen onto a tray.

Screen stock sizes widths 300 – 1400mm in 100mm increments.
 Door stock widths 700mm, 750mm and 800mm.
 Thickness 6mm, 8mm or 10mm clear or satinised.
 Height 2000mm is standard.

↓ Doors use non-handed hinges that self-lock at 90° and allow 170° movement, both ways. The curved bar handle doubles as a towel rail. Screens are located by slim profile channel or three wall edge clamps allowing 10mm of adjustment and a very slim angled or straight top brace. The toe pedestal offers a lower gap of 130mm or 17mm or simple ground contact via 'H' profile. Edge seals optional – see below.



850mm door used as a screen



Satinised screen with edge clamps and 130mm toe pedestal

← Mobility/healthcare users with 850mm screens for when you don't want your bathroom looking like an institution. Clear or obscure (satinised). A true level access wet floor either tiled or vinyl. The 'screen' in this application is actually a door used for safety and practical reasons.
 Safety – if a fall should occur the screen will move out of the way eliminating injury caused by a rigid fixed edge or glass granules from broken safety glass.
 Practicality – A gap of 6-50mm at the bottom is essential for back drainage from the inevitable water spillage over the top of the screen. Or seal to floor with 'H' profile.

Over-bath screens and doors (8mm only)
 Stock sizes are 750mm x 1500mm and 850mm x 1500mm
 Communal Showers and Special Needs Made to architect's specifications for hotels, spas, outdoor pursuits, mobility/healthcare, leisure centre, sports changing rooms.
 Minimalist Elegance Screens and doors are frameless. Value The finest British quality at the lowest price.
 Special Sizes There is no extra charge for special sizes (within reason). Screen widths – maximum width 3500mm; Door widths – maximum 1100mm if height reduced to 1500mm.
 Care Clearshield™ stain-resist treatment is recommended – see price list.

ALL-BRITISH BETA

Wall Fixing 3 Options



↑ Three edge clamps (10mm adjustment)



↑ Slim 17mm channel (6mm adjustment)



↑ Traditional compensator profile (22mm adjustment) - extra cost

Edge clamps add 17mm to the width: a 800mm screen will finish 817mm wide.

Floor Fixing onto Tiled Wetfloor 4 Options

- Toe Pedestal 17mm or 130mm gap (see pictures on right)
- Silicone to tile
- Aluminium 'H' profile (see below)
- Translucent bottom seal (see Seals)

The toe pedestal is recommended as it avoids hydroscopic attraction of water, limescale and grime: a clean elegant finish will be assured.



Floor Fixing onto a Tray 3 Options

- Silicone to Tray
- Aluminium 'H' profile (see picture)
- Translucent bottom seal (see Seals)



Bracing/Steadying Solutions

- Top Brace: Two are available in ultra-slim 8mm diameter - a straight 1200mm or bent 800mm (see pictures right)
- Ceiling Fixing: floor to ceiling 800mm - 2600mm full height. Short ceiling fix only 100mm - 1170mm.



Door 800 x 2000mm with dual handle or 30mm knobs (see picture below)



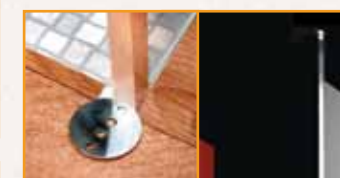
Dual access screen with drilled top braces



Standard hinge



Double door handle/Towel rail



Angled brackets



30mm knobs



Ceiling fixing



Clear screen with edge clamps and 17mm toe pedestal

ALL-BRITISH BETA